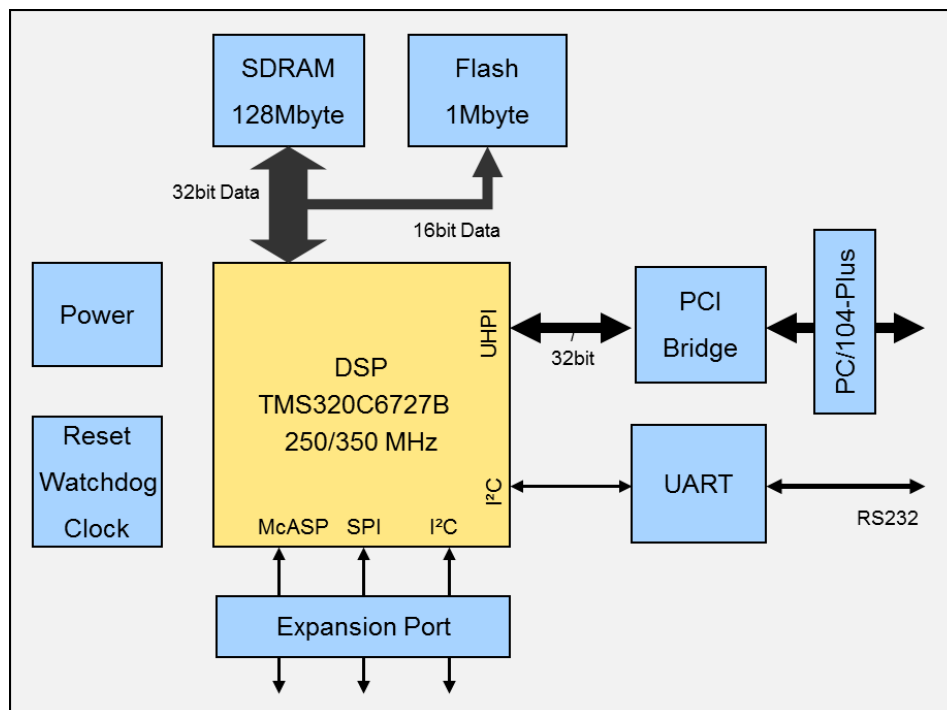


## DSPE-67-104

### PC/104-Plus DSP-Module

#### OVERVIEW

DSPECIALISTS' DSP module DSPE-67-104 is based on Texas Instruments' DSP TMS320C6727B. It is made especially for industrial applications in the measuring application. The module meets the specification PC/104-Plus, is stand-alone enabled and will be delivered with Linux drivers. Software libraries for signal processing are available. The DSP module provides 2800 MIPS or 2100 MFLOPS, 128 MB of SDRAM and 8 Mb Flash. For extreme environmental conditions, a version with extended temperature is available.



#### KEY FEATURES

- PC/104-Plus (PCI) 32-bit DSP System
- Stand-alone operation
- Digital inputs and outputs as TDM or I<sup>2</sup>S
- External expansion via SPI and I<sup>2</sup>C
- boot option: Flash or host (via UHPI)
- Library of signal processing algorithms
- Linux driver

## Technical Specification

- Processor: TI TMS320C6727B 250/350 MHz / 32 bit floating point, 2.1 GFLOPs
- Memory: 2 Mbit internal SRAM at core speed, 32kbyte on-chip Cache  
up to 128 MByte SDRAM, 32 bit interface, 133 MHz clock frequency  
up to 1 MByte Flash, 16 bit interface, speed 70 ns
- Audio channels: up to 12 x I<sup>2</sup>S data lines (24 channels), alternatively TDM  
up to 192 kHz sample rate
- Serial interface: UART (RS232), I<sup>2</sup>C, SPI, GPIO, LEDs and switches  
JTAG connector
- Power supply: 3.3 V via PC/104-Plus Connector
- Bus interface: 32bit PCI via PC/104-Plus
- Outline: PC/104-Plus form factor

DSPECIALISTS GmbH © 2018

### CONTACT US

#### DSPECIALISTS

Digitale Audio- und Messsysteme GmbH  
Helmholtzstr. 2-9 L  
10587 Berlin  
Germany

Tel: +49 30 467805-0  
Fax: +49 30 467805-99  
E-mail: [sales@dspecialists.de](mailto:sales@dspecialists.de)

### ABOUT US

The products of DSPECIALISTS are marked by our use of tried and tested standard components. And they can be tailor-made to meet your individual requirements. The range of products and services provided by DSPECIALISTS includes customer-specific modules as well as complete systems. We use DSPs, PCs, micro controllers and programmable logic in our development Work.

### VISIT OUR WEBSITE:

[www.dspecialists.de](http://www.dspecialists.de)