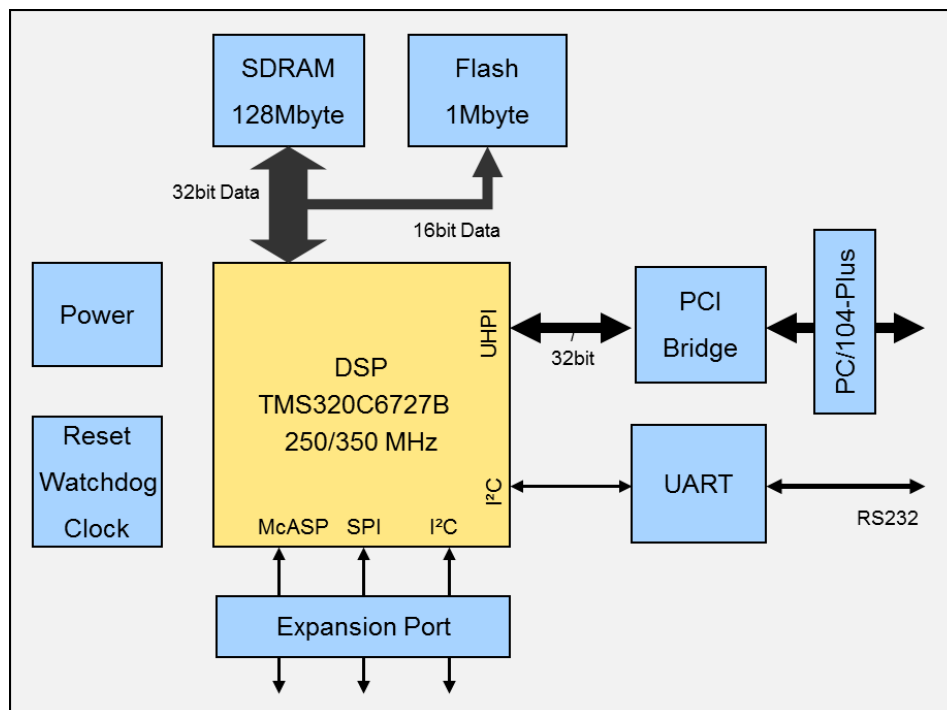


DSPE-67-104

PC/104-Plus DSP-Module

OVERVIEW

DSPECIALISTS' DSP module DSPE-67-104 is based on Texas Instruments' DSP TMS320C6727B. It is made especially for industrial applications in the measuring application. The module meets the specification PC/104-Plus, is stand-alone enabled and will be delivered with Linux drivers. Software libraries for signal processing are available. The DSP module provides 2800 MIPS or 2100 MFLOPS, 128 MB of SDRAM and 8 Mb Flash. For extreme environmental conditions, a version with extended temperature is available.



KEY FEATURES

- PC/104-Plus (PCI) 32-bit DSP System
- Stand-alone operation
- Digital inputs and outputs as TDM or I²S
- External expansion via SPI and I²C
- boot option: Flash or host (via UHPI)
- Library of signal processing algorithms
- Linux driver

Technical Specification

- Processor: TI TMS320C6727B 250/350 MHz / 32 bit floating point, 2.1 GFLOPs
- Memory: 2 Mbit internal SRAM at core speed, 32kbyte on-chip Cache
up to 128 MByte SDRAM, 32 bit interface, 133 MHz clock frequency
up to 1 MByte Flash, 16 bit interface, speed 70 ns
- Audio channels: up to 12 x I²S data lines (24 channels), alternatively TDM
up to 192 kHz sample rate
- Serial interface: UART (RS232), I²C, SPI, GPIO, LEDs and switches
JTAG connector
- Power supply: 3.3 V via PC/104-Plus Connector
- Bus interface: 32bit PCI via PC/104-Plus
- Outline: PC/104-Plus form factor

DSPECIALISTS GmbH © 2016

CONTACT US

DSPECIALISTS

Digitale Audio- und Messsysteme GmbH
Helmholtzstr. 2-9 L
10587 Berlin
Germany

Tel: +49 30 467805-0
Fax: +49 30 467805-99
E-mail: sales@dspecialists.de

ABOUT US

The products of DSPECIALISTS are marked by our use of tried and tested standard components. And they can be tailor-made to meet your individual requirements. The range of products and services provided by DSPECIALISTS includes customer-specific modules as well as complete systems. We use DSPs, PCs, micro controllers and programmable logic in our development Work.

VISIT OUR WEBSITE:
www.dspecialists.de